

Irons Brothers Construction Inc's Bird House Building

See detailed instructions on both sides

Tutorial video - <https://www.youtube.com/watch?v=0RdyOBgWrTs>



Design + Build
center

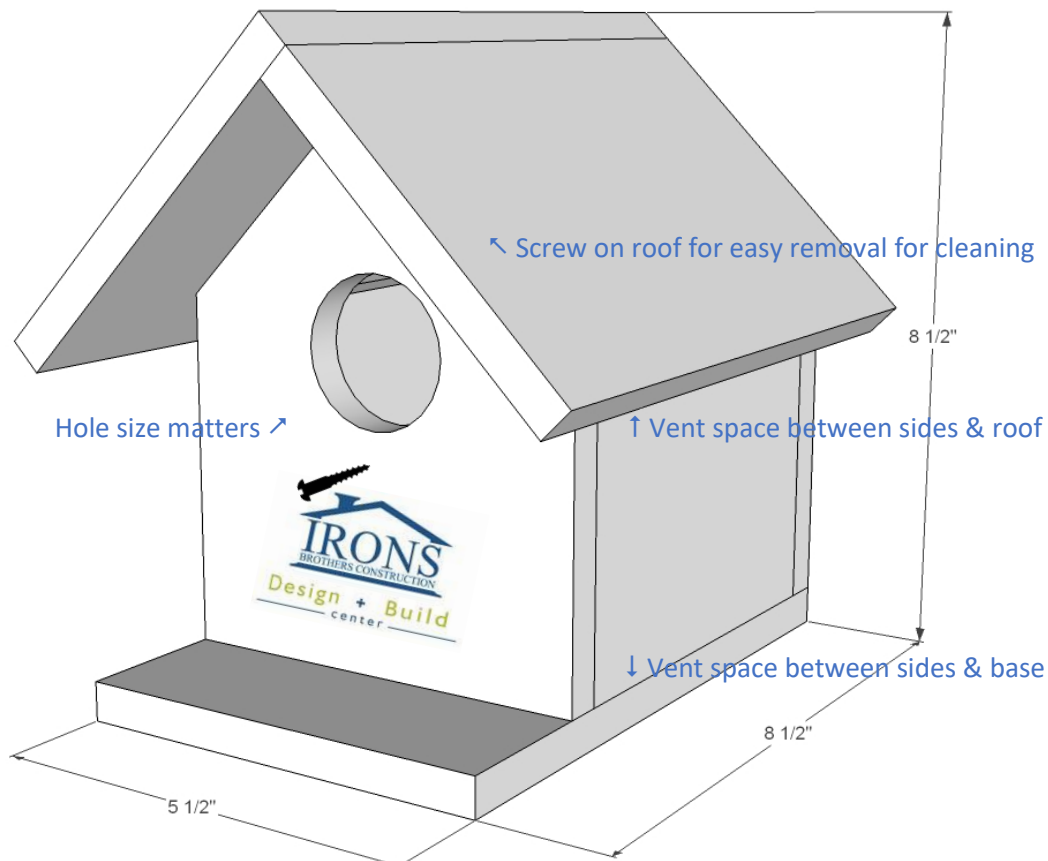
Tools Needed:

Hammer, screwdriver, drill, hole saw, 3/32" Pre-drill bit for nails & countersink bit for screws

Note: Hole saw size per bird desired, see bird info (1", 1-1/8", 1-1/4", 1-1/2")

Materials List per birdhouse:

- 15 - 1.75" exterior finish nails
- 3 - 1.75" exterior screws
- 1 - Floor 8.5" x 5.5"
- 1 - Back wall no logo 5.5" x 7.25"
- 2 - Side walls (Two) 4.25" x 5.5"
- 1 - Front wall with IBC logo 5.5" x 7.25"
- 1 - Right roof 8.5" x 5"
- 1 - Left Roof 8.5" x 5.5"



Step 1

Pre-drill & Nail back wall to side walls. Allow 1/8" up from floor for venting between base & side walls. **4 nails**

Step 2

Pre-drill & Nail front wall to side walls keeping 1/8" venting gap. (Note drill entrance hole in step 6) **4 nails**

Step 3

Pre-drill & Nail the floor to the back & front walls, with back edges flush. **4 nails**

Step 4

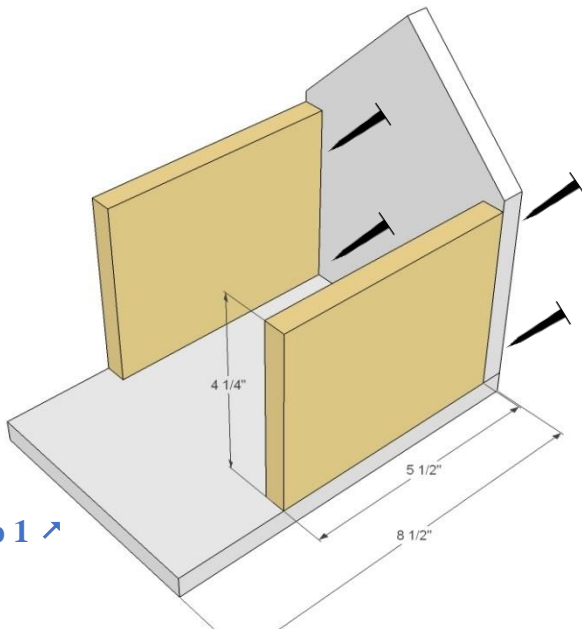
Pre-drill & Nail left wider 5.5" roof over the right narrower 5" roof **3 nails**

Step 5

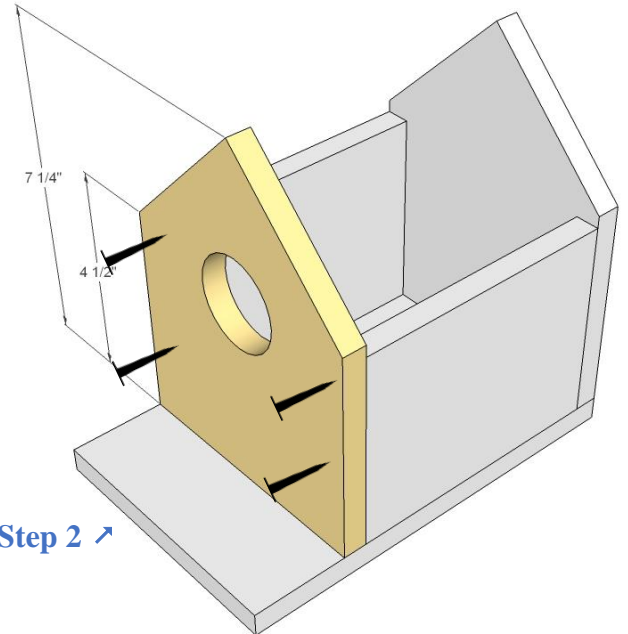
Pre-drill & screw both sides of assembled roof to the front and back top edges. **2 screws**
(pre-drilling will avoid roof splitting, screws will allow removal for future cleaning)

Step 6

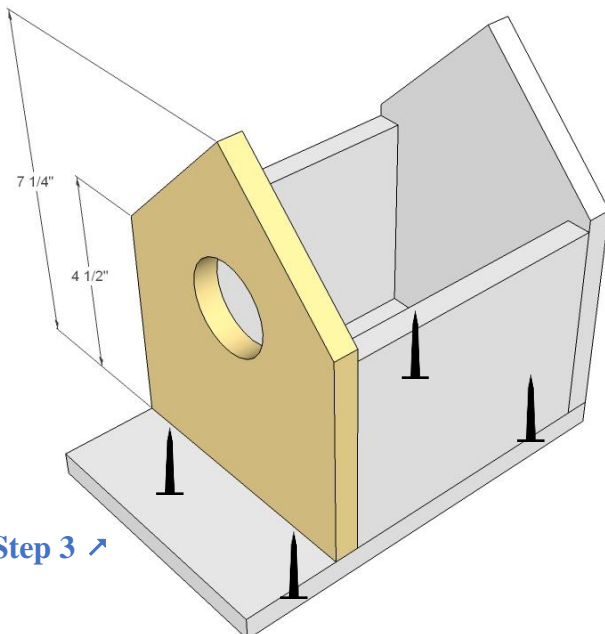
Drill entrance hole (Size TBD see bird chart) Install optional screw Perch **1 screws**



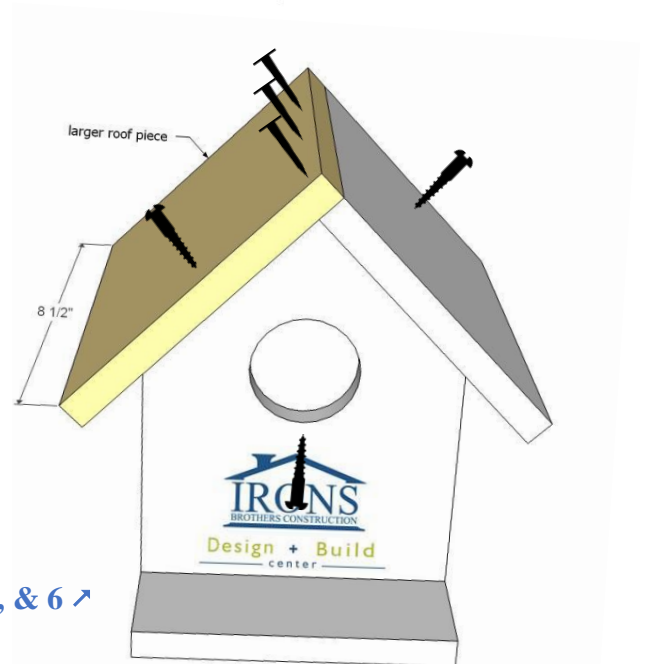
Step 1 ↗



Step 2 ↗



Step 3 ↗



Step 4, 5, & 6 ↗